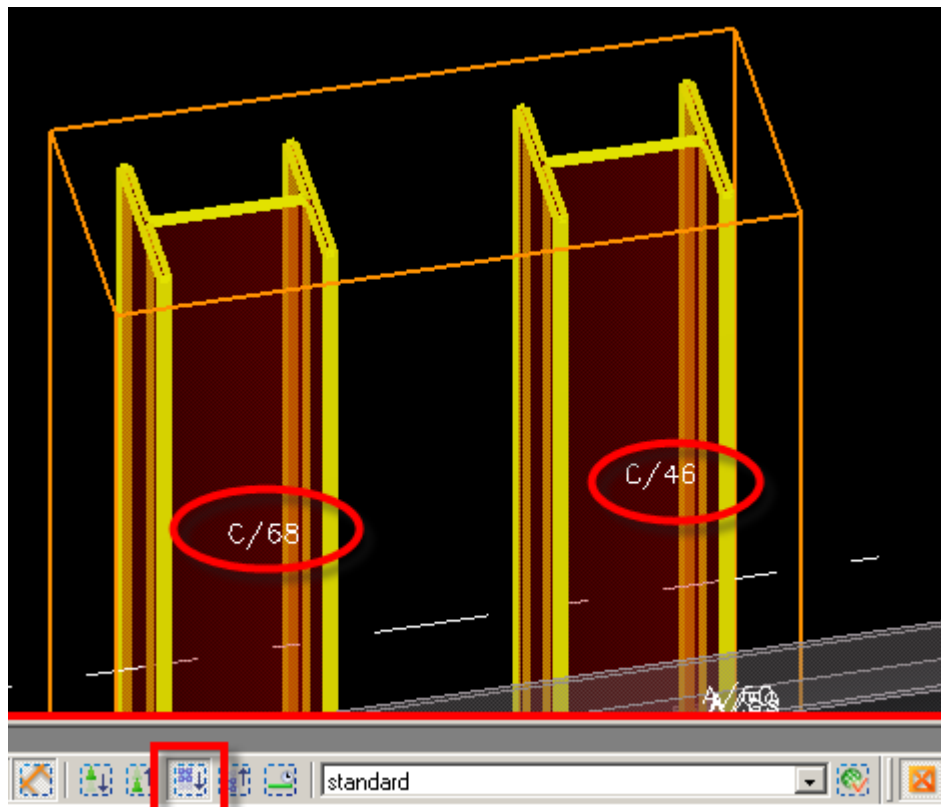
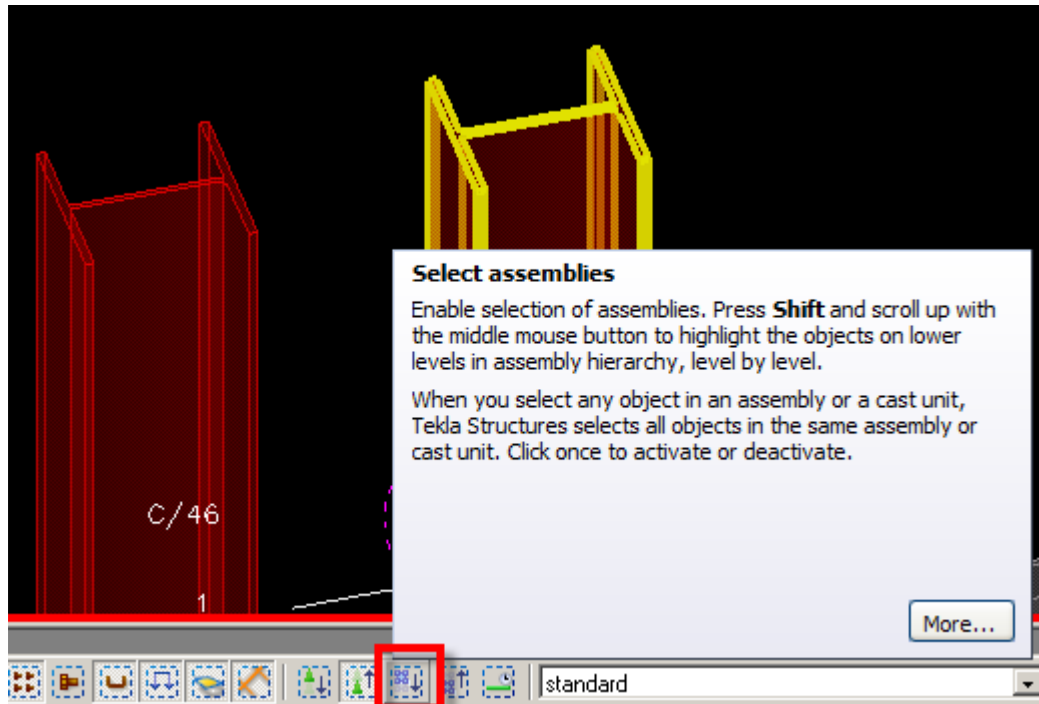
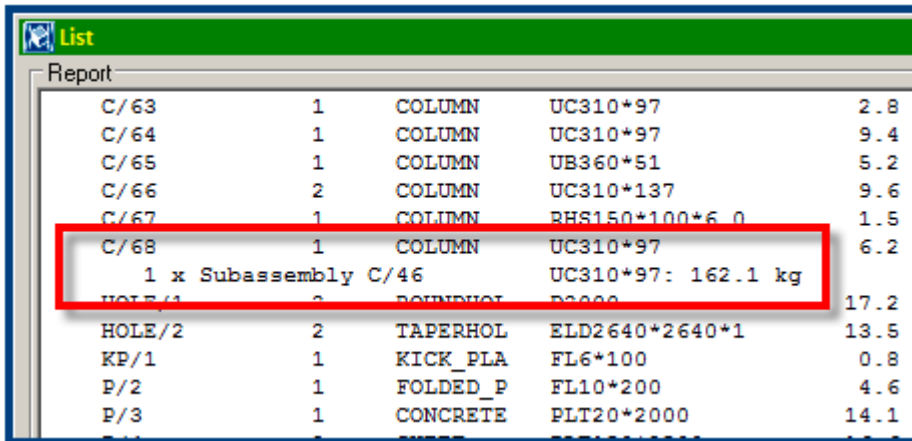


## FAQ – How do I remove an assembly from within another assembly?

There will be times when an assembly is accidentally created within another assembly. This may happen if ‘Select assemblies’ is chosen instead of the ‘Select Objects in Assemblies’ option.

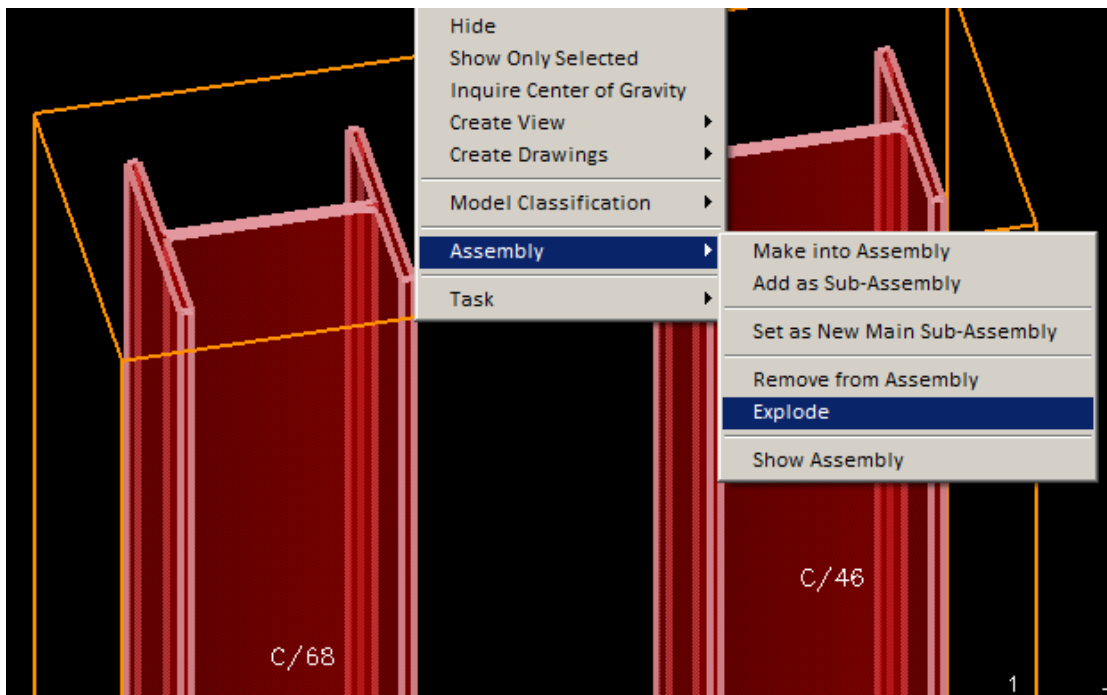


You can find nested assemblies (super assemblies) by running the 'MultiAssemblyList' report, and looking for any 'nested' assembly as shown here.



List				
Report				
C/63	1	COLUMN	UC310*97	2.8
C/64	1	COLUMN	UC310*97	9.4
C/65	1	COLUMN	UB360*51	5.2
C/66	2	COLUMN	UC310*137	9.6
C/67	1	COLUMN	BHS150*100*6 0	1.5
C/68	1	COLUMN	UC310*97	6.2
1 x Subassembly C/46 UC310*97: 162.1 kg				
HOLE/1	2	TAPERHOL	RD2000	17.2
HOLE/2	2	TAPERHOL	ELD2640*2640*1	13.5
KP/1	1	KICK_PLA	FL6*100	0.8
P/2	1	FOLDED_P	FL10*200	4.6
P/3	1	CONCRETE	PLT20*2000	14.1

To remove the 'nesting', right mouse-click over the assembly and then choose 'Assembly' > 'Explode'.



Depending on your 'Numbering' settings, you may have to then modify the numbering of one of the assemblies. In this example the C/68 replaces one of the original C/46 assemblies.

